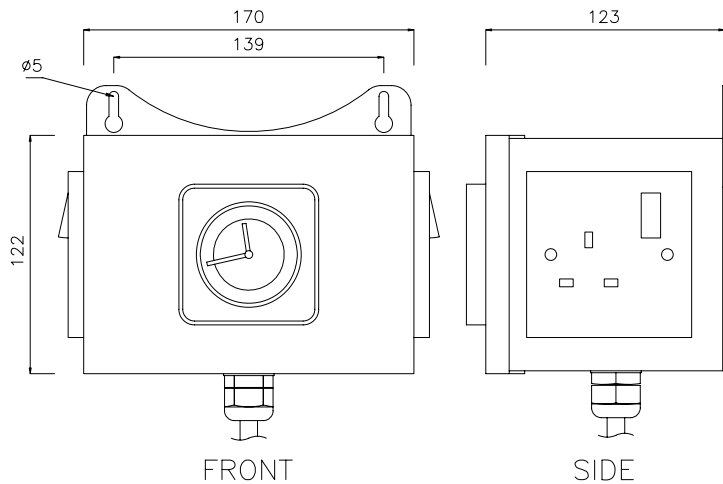


Document:	Maxibright Maxiswitch Pro 2 – Technical Data Sheet		
Updated:	16/09/2011	By:	K Woodhouse-Roe
		Version:	1.01

MAXIBRIGHT

Maxiswitch Pro 2 – Product Code: MBMSP2

Technical Data Sheet



Supply: Requires 1 x standard 13A 230V UK (BS1363) outlet socket.

Output: 2 x timer controlled standard 13A 230V UK (BS1363) switched outlet sockets.
Maximum load capacity 13A.

Timer: Switchable in 15min segments, On/Off operation with override facility.

Weight: 1.55kg. **Boxed weight:** 2.10kg.

HID Ballast General Running Current (A)				Maximum HID Ballasts per Maxiswitch Pro 4			
250W	400W	600W	1000W	250W	400W	600W	1000W
1.25	2.13	2.89	5	2	2	2	2

