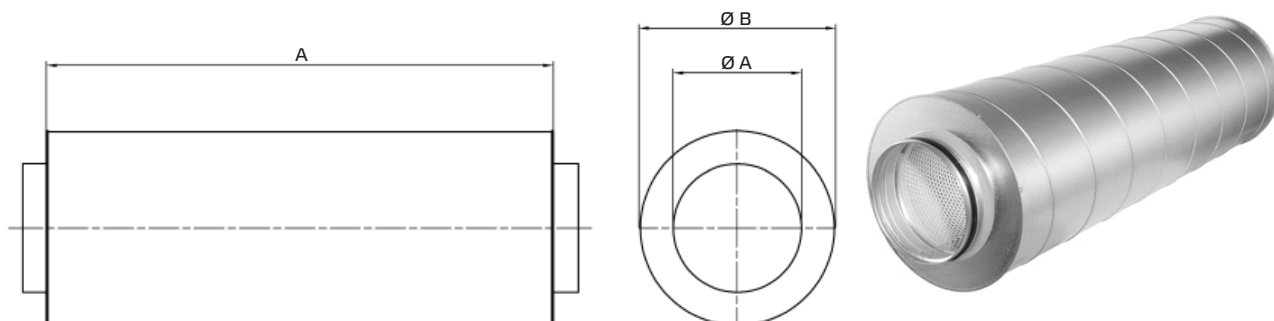


Duct Silencer SDS



| Type | ID | Nominal width mm | A [±5%] mm | Ø B [±5%] mm | Ø C [±2%] mm | Weight [±5%] kg |
|---------|--------|---------------------|---------------|-----------------|-----------------|--------------------|
| SDS 100 | 102709 | 100 | 900 | 212 | 100 | 4,8 |
| SDS 125 | 102712 | 125 | 1000 | 212 | 125 | 4,9 |
| SDS 150 | 102714 | 150 | 900 | 262 | 150 | 6,3 |
| SDS 160 | 102717 | 160 | 1000 | 262 | 160 | 6,8 |
| SDS 200 | 102719 | 200 | 1050 | 327 | 200 | 8,7 |
| SDS 250 | 102721 | 250 | 1050 | 412 | 250 | 14,0 |
| SDS 280 | 115243 | 280 | 900 | 412 | 280 | 12,4 |
| SDS 315 | 102723 | 315 | 1050 | 412 | 315 | 13,7 |
| SDS 355 | 102725 | 355 | 1050 | 510 | 355 | 18,9 |
| SDS 400 | 102727 | 400 | 1050 | 650 | 400 | 24,5 |
| SDS 450 | 124179 | 450 | 980 | 650 | 450 | 19,8 |
| SDS 500 | 118834 | 500 | 1000 | 650 | 500 | 22,0 |

- Duct Silencer, rigid
- Mineralwool insulation
- Sheet steel, galvanized

Noise insertion loss dB

| Type | Octave band Hz | | | | | | | |
|---------|-------------------|-----|-----|------|------|------|------|-------|
| | 125 | 250 | 500 | 1000 | 2000 | 4000 | 8000 | 16000 |
| SDS 100 | 8 | 10 | 20 | 17 | 18 | 19 | 15 | 7 |
| SDS 125 | 6 | 12 | 25 | 26 | 30 | 30 | 18 | 10 |
| SDS 150 | 5 | 10 | 24 | 24 | 28 | 25 | 22 | 19 |
| SDS 160 | 5 | 11 | 23 | 28 | 34 | 26 | 21 | 26 |
| SDS 200 | 2 | 9 | 19 | 25 | 27 | 18 | 20 | 19 |
| SDS 250 | 1 | 8 | 19 | 25 | 25 | 16 | 15 | 15 |
| SDS 280 | 6 | 10 | 18 | 22 | 18 | 14 | 14 | 15 |
| SDS 315 | 0 | 5 | 10 | 22 | 16 | 13 | 14 | 14 |
| SDS 355 | 4 | 7 | 14 | 24 | 14 | 11 | 12 | 10 |
| SDS 400 | 2 | 3 | 10 | 18 | 10 | 8 | 7 | 6 |
| SDS 450 | | | | | | | | |
| SDS 500 | 4 | 5 | 10 | 8 | 10 | 11 | 11 | 12 |

Tested according to EN ISO 7235:2010