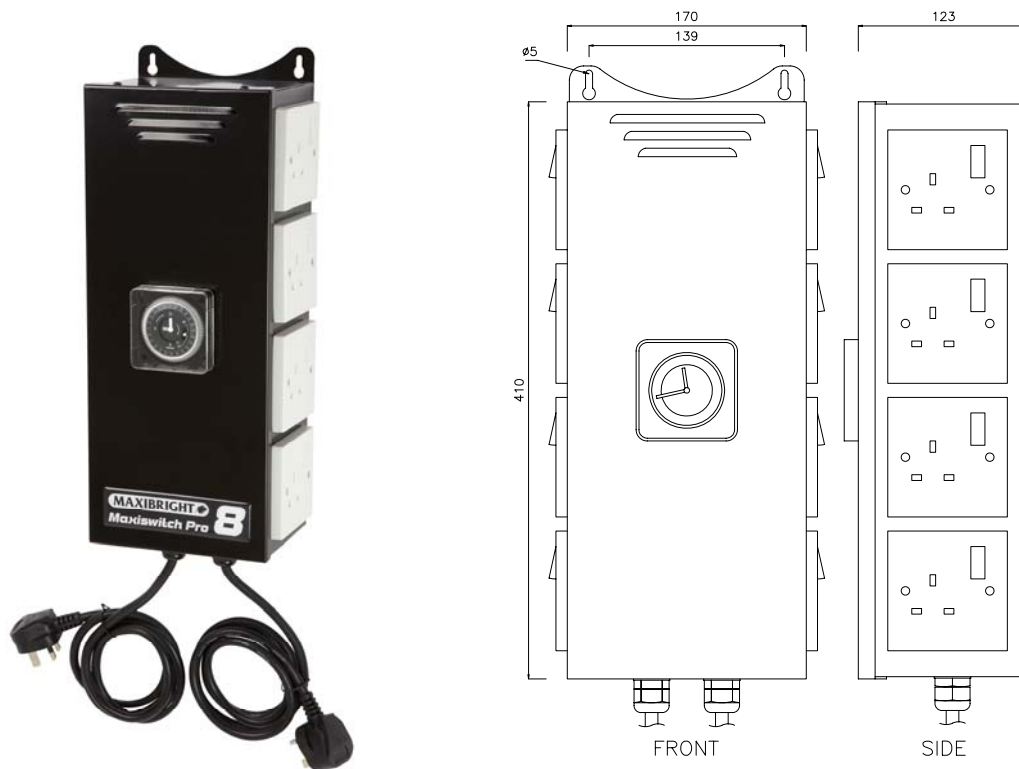


<b>Document:</b>	Maxiswitch Pro 8 – Technical Data Sheet		
<b>Updated:</b>	16/09/2011	<b>By:</b>	K Woodhouse-Roe
		<b>Version:</b>	1.01

# MAXIBRIGHT

## Maxiswitch Pro 8 – Product Code: MBMSP8

### Technical Data Sheet



**Supply:** Requires 2 x standard 13A 230V BS1363 outlet sockets.  
(Supplies must be from adjacent sockets)

**Output:** 4 x timer controlled standard 13A 230V BS1363 switched outlet sockets.  
**Maximum load capacity 26A – 13A per side.**

**Timer:** Switchable in 15min segments, On/Off operation with override facility.

**Weight:** 3.5kg.                      Boxed weight: 4.10kg.

HID Ballast General Running Current (A)				Maximum HID Ballasts per Maxiswitch Pro 4			
250W	400W	600W	1000W	250W	400W	600W	1000W
1.25	2.13	2.89	5	4	4	4	4

