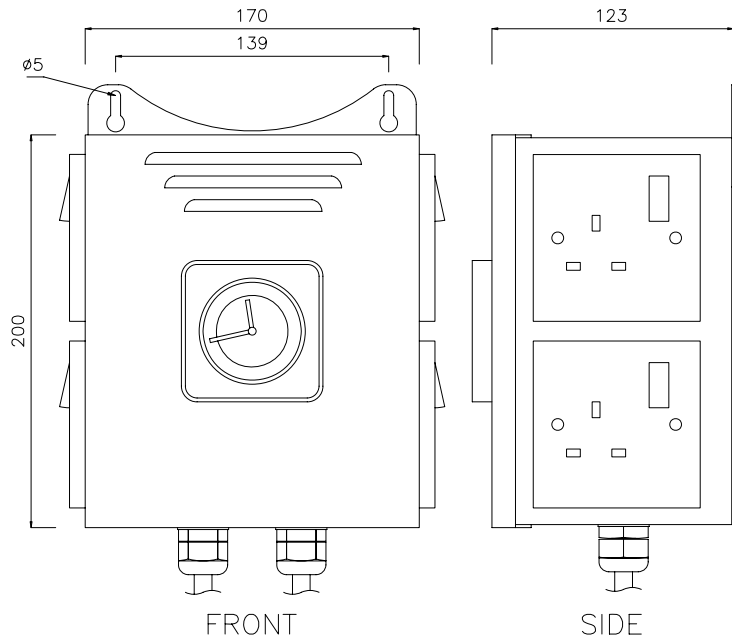


Document:	Maxiswitch Pro 4 – Technical Data Sheet		
Updated:	18/10/2011	By:	K Woodhouse-Roe
		Version:	1.01

MAXIBRIGHT

Maxiswitch Pro 4 – Product Code: MBMSP4

Technical Data Sheet



Supply: Requires 2 x standard 13A 230V BS1363 outlet sockets.
(Supplies must be from adjacent sockets)

Output: 4 x timer controlled standard 13A 230V BS1363 switched outlet sockets.
Maximum load capacity 26A – 13A per side.

Timer: Switchable in 15min segments On/Off operation with override facility.

Weight: 2.35kg. Boxed weight: 2.80kg.

HID Ballast General Running Current (A)				Maximum HID Ballasts per Maxiswitch Pro 4			
250W	400W	600W	1000W	250W	400W	600W	1000W
1.25	2.13	2.89	5	4	4	4	4

